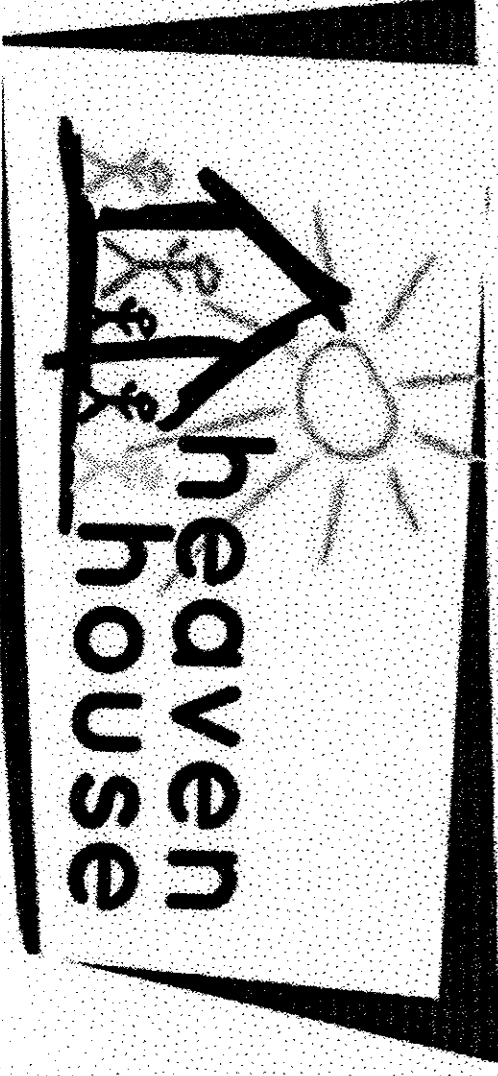


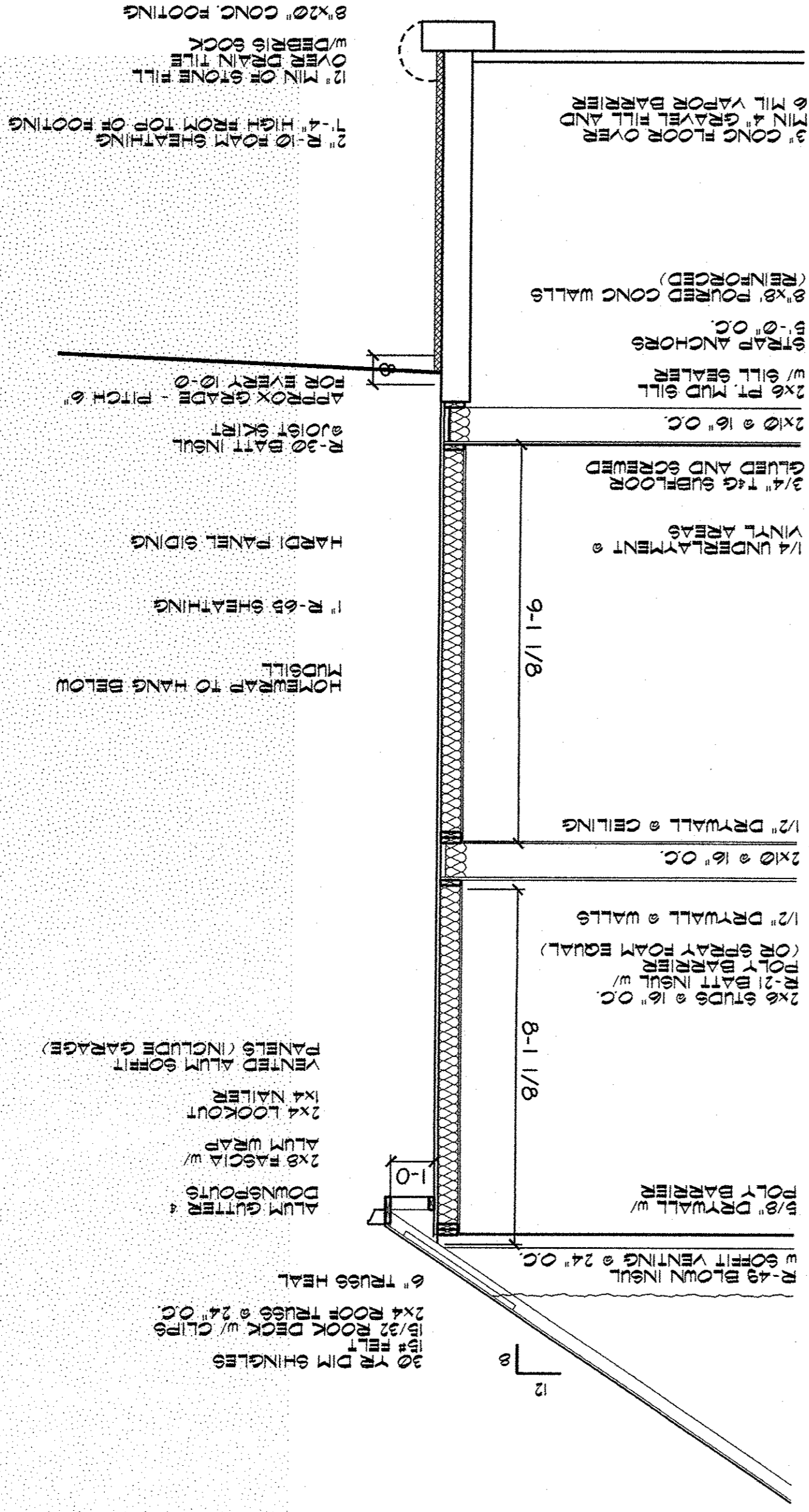
NO PART OF THESE PLANS MAY BE REPRODUCED OR TRANSMITTED IN ANY FORM OR BY ANY MEANS, ELECTRONIC OR MECHANICAL, WITHOUT PERMISSION OF HEAVEN HOUSE, THE ORIGIN.



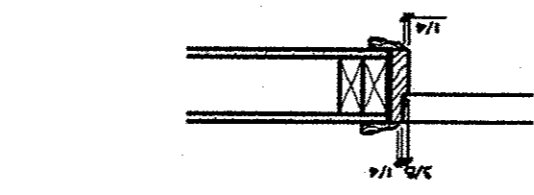
1st Floor	1535 sq ft
2nd Floor	1582 sq ft
TOTAL	3487 sq ft
Garage	500 sq ft
DESIGN BY	SHO Home Design

Dan & Lori O'Brien
17350 W Greenfield Ave
Brookfield, WI 53045

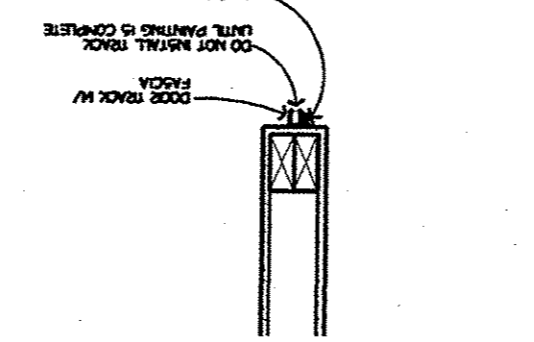
SECTION



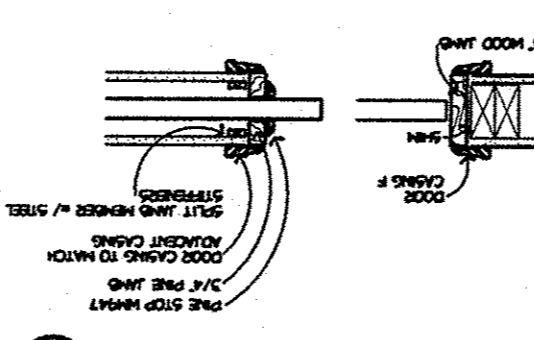
JAMB



BI-FOLD DOOR HEAD



POCKET DOOR JAMB



POCKET DOOR TRACK

